



Features

- High torsional, high rigidity.
- Identical clockwise and anticlockwise rotational characteristics.
- Low moment of inertia backlash-free.
- Suitable to small servo system exact transmission.
- Long service life, maintenance free.
- Setscrew type.
- MTC Body : Aluminum alloy.

特性

- 高扭力.高剛性
- 可正逆轉特性.
- 低慣性.無背隙
- 適於中小型伺服馬達精密.定位傳動
- 免保養.壽命長.
- 止付螺絲式固定
- MTC 本體：鋁合金材質.

Specifications

unit:mm

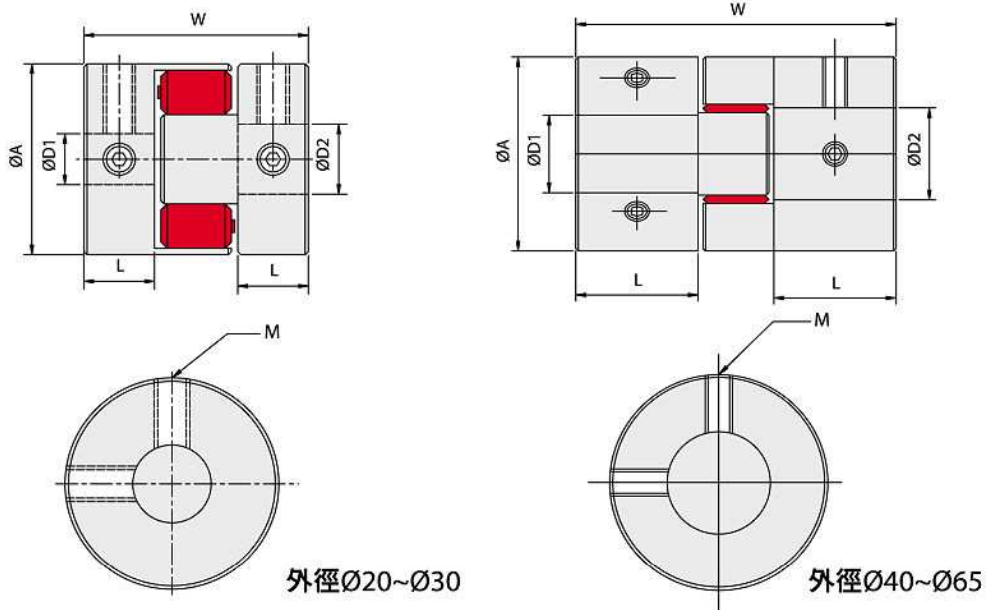
Product No 產品編號	Rated Torque 常用扭矩 (N.m)	Max. Torque 最大扭矩 (N.m)	Max. Rotational Frequency. 最高迴轉數 (min ⁻¹)	Moment* Of Inertia 慣性 (kg.m ²)	Error of Eccentricity 容許偏心量 (mm)	Error of Angularity 容許角偏差 (°)	Error of Shaft End-play 容許軸向位差 (mm)	Mass** 質量 (g)
MTC-20-RD	5.0	10.0	19000	1.0×10 ⁻⁶	0.10	1°	±0.8	18
MTC-30-RD	12.5	25.0	13000	5.9×10 ⁻⁶	0.10	1°	±1.0	46
MTC-40-RD	17.0	34.0	9600	4.0×10 ⁻⁵	0.10	1°	±1.2	150
MTC-55-RD	60.0	120.0	7000	1.7×10 ⁻⁴	0.10	1°	±1.4	350
MTC-65-RD	160.0	320.0	5900	3.9×10 ⁻⁴	0.10	1°	±1.5	570

*Max. Bore Moment of Inertia/最大孔徑時慣性矩

**Max. Bore Mass/最大孔徑時質量

Setscrew type

● MTC



Dimension

unit:mm

Product No 產品編號	A	L	W	Stock Bores 標準孔徑 D1×D2(公差 H8)		M
				Min D1	Max D2	
MTC-20-RD	20	10	30	4	8	M3
MTC-30-RD	30	11	35	6	14	M4
MTC-40-RD	40	25	66	8	20	M5
MTC-55-RD	55	30	78	10	25	M6
MTC-65-RD	65	35	90	12	35	M8

When Ordering

When placing an order, make sure to include product no.

And stock bores(both sides) of product.

MTC-55-RD - Ø8 X Ø12

Product No D1 D2