

# MTC-C



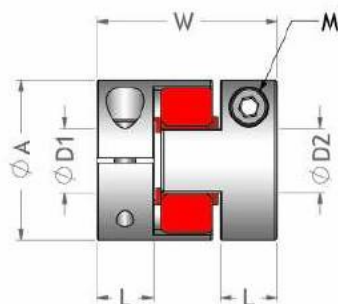
## Features

- High Torque, Vibration Absorption, Press Fitted Sleeve
- Extremely high torsional stiffness, low inertia and excellent response
- Vibration Absorption 'angular misalignments and shaft endplay by spring action
- Excellent electrical insulation
- Identical clockwise and counter-clockwise rotational characteristics
- Finished products featuring two different end bore diameters available in stock.
- Clamp type
- MTC-C Body : Aluminum alloy.

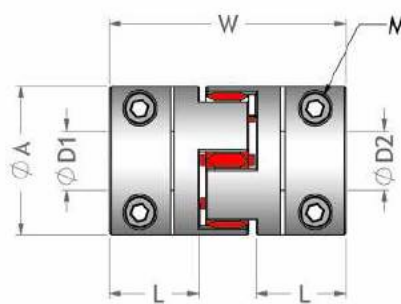
## 特性

- 高扭矩・吸收振動・彈性間隔體壓入式
- 超高扭轉剛性，低慣性和卓越的應答度。
- 吸收振動，可容許偏心、偏角及軸向偏差。
- 具有電氣絕緣性。
- 順、逆時針回轉特性完全相同。
- 兩端不同孔徑的產品標準化。
- 夾鉗螺絲型固定。
- MTC-C 本體：鋁合金材質。

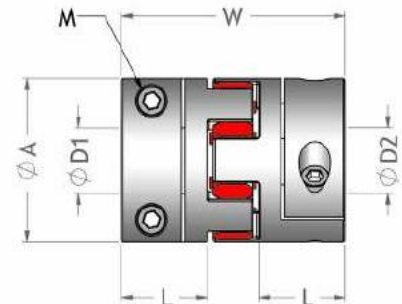
## Clamp type



MTC-20C-RD-30C-RD



MTC-40C-RD



MTC-55C RD-65C-RD

## Specifications

unit : mm

Product No 產品名稱	Rated Torque 常用扭矩 (N.m)	Max. Torque 最大扭矩 (N.m)	Max. Rotational Frequency. 最高迴轉數 (min <sup>-1</sup> )	Moment* Of Inertia 慣性 (kg.m <sup>2</sup> )	Error of Eccentricity 容許偏心量 (mm)	Error of Angularity 容許角偏差 ( ° )	Error of Shaft End-play 容許軸向偏差 (mm)	Mass** 質量 (g)
<b>MTC-20C-RD</b>	5.0	10.0	7600	1.1x10 <sup>-6</sup>	0.10	1°	±0.8	19
<b>MTC-30C-RD</b>	12.5	25.0	5100	6.2x10 <sup>-6</sup>	0.10	1°	±1.0	50
<b>MTC-40C-RD-50</b>	17.0	34.0	3800	3.0x10 <sup>-5</sup>	0.10	1°	±1.2	125
<b>MTC-40C-RD</b>	17.0	34.0	3800	3.9x10 <sup>-5</sup>	0.10	1°	±1.2	160
<b>MTC-55C-RD-66</b>	60.0	120.0	2800	1.35x10 <sup>-4</sup>	0.10	1°	±1.4	295
<b>MTC-55C-RD</b>	60.0	120.0	2800	1.6x10 <sup>-4</sup>	0.10	1°	±1.4	330
<b>MTC-65C-RD</b>	160.0	320.0	2350	3.8x10 <sup>-4</sup>	0.10	1°	±1.5	560

> Max. Bore Moment of Inertia / 最大孔徑時慣性矩

> Max. Bore Mass / 最大孔徑時質量

## Dimension

unit : mm

Product No 產品名稱	A	L	W	Stock Bores 標準孔徑 D1xD2( 公差 H8)		M
				Min D1	Max D2	
<b>MTC-20C-RD</b>	20	10	30	5	8	2-M2.5
<b>MTC-30C-RD</b>	30	11	35	6	14	2-M4
<b>MTC-40C-RD-50</b>	40	17	50	8	19	2-M5
<b>MTC-40C-RD</b>	40	25	66	8	19	4-M5
<b>MTC-55C-RD-66</b>	55	24	66	10	25	4-M6
<b>MTC-55C-RD</b>	55	30	78	10	25	4-M6
<b>MTC-65C-RD</b>	65	35	90	12	35	4-M8

## When Ordering

請依照型錄所制訂的產品規格訂購，兩側孔徑可依客戶需在規範內加工製作。

When placing an order, make sure to include product no.

And stock bores (both sides) of product.

## MTC - 65C - RD $\varnothing$ 8 x $\varnothing$ 12

Product No D1 x D2