

MRC-C

Flexible couplings

MRCS-C



Features

- Ideal one-body metallic spring rigidity couplings.
- High torsional stiffness and response.
- Identical clockwise and anticlockwise rotational characteristics
- Maintenance-free, oil and chemical resistant.
- Clamp type.
- MRC-C Body : Aluminum alloy.
- MRCS-C Body : Stainless steel.

特性

- 完美單一本體, 剛性聯軸器.
- 高扭力, 高負荷
- 可正逆轉特性.
- 免保養, 抗油, 抗化學性.
- 夾鉗式固定
- MRC-C 本體: 鋁合金材質.
- MRCS-C 本體: 不銹鋼材質.

Specifications

unit:mm

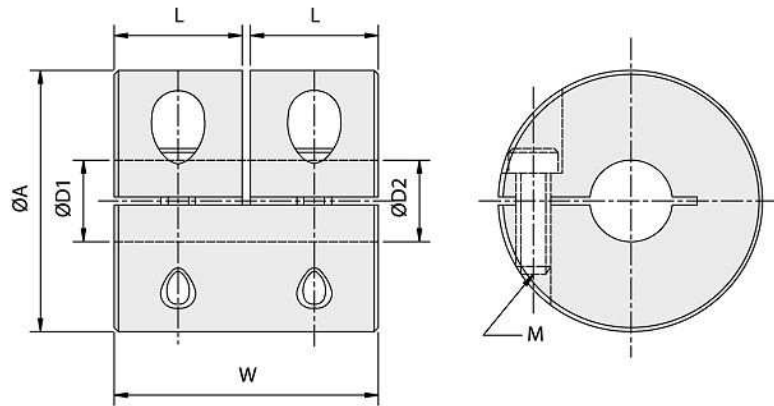
Product No 產品編號	Rated Torque 常用扭矩 (N.m)	Max. Torque 最大扭矩 (N.m)	Max. Rotational Frequency. 最高迴轉數 (min ⁻¹)	Moment* Of Inertia 慣性 (kg.m ²)	Mass** 質量 (g)
MRC-16C	0.3	0.6	9500	2.7×10^{-7}	9.0
MRC-20C	0.5	1.0	7600	7.9×10^{-7}	15.0
MRC-25C	1.1	2.2	6100	2.5×10^{-6}	30.0
MRC-32C	2.0	4.0	4800	7.8×10^{-6}	65.0
MRCS-16C	0.5	1.0	9500	7.5×10^{-7}	18.0
MRCS-20C	1.0	2.0	7600	2.2×10^{-6}	37.0
MRCS-25C	2.1	4.2	6100	6.9×10^{-6}	75.0
MRCS-32C	3.5	7.0	4800	2.4×10^{-5}	162.0

*Max. Bore Moment of Inertia/最大孔徑時慣性矩

**Max. Bore Mass/最大孔徑時質量

Clamp type

● MRC-C



Dimension

unit:mm

Product No 產品編號	A	L	W	Stock Bores 標準孔徑 D1×D2(公差 H8)		M
				Min D1	Max D2	
MRC-16C	16	7.5	16	5	6	M2.5
MRC-20C	20	9.5	20	6	8	M2.5
MRC-25C	25	12	25	8	10	M3
MRC-32C	32	15.5	32	10	14	M4
MRCS-16C	16	7.5	16	5	6	M2.5
MRCS-20C	20	9.5	20	6	8	M2.5
MRCS-25C	25	12	25	8	10	M3
MRCS-32C	32	15.5	32	10	14	M4

When Ordering

When placing an order, make sure to include product no.
And stock bores(both sides) of product.

MRCS-20C - Ø6 X Ø8

Product No D1 D2