



## Features

- Ideal one-body metallic spring flexible couplings.
- Zero backlash.
- Complete absorption of eccentricity angularity, and end-play by spring action.
- High torsional stiffness and response.
- Identical clockwise and anticlockwise rotational characteristics.
- Maintenance-free, oil and chemical resistant.
- Setscrew type.
- MFS Body : Extra Super Duralumin.
- MFSS Body : Stainless steel.

## 特性

- 完美單一本體，撓性聯軸器。
- 零作用力。
- 藉由彈性作用，完美吸收軸偏移、角偏差、軸端部位插。
- 高扭力，高負荷
- 可正逆轉特性。
- 免保養、抗油、抗化學性。
- 止付螺絲式固定
- MFS 本體：鋁合金材質。
- MFSS 本體：不銹鋼材質。

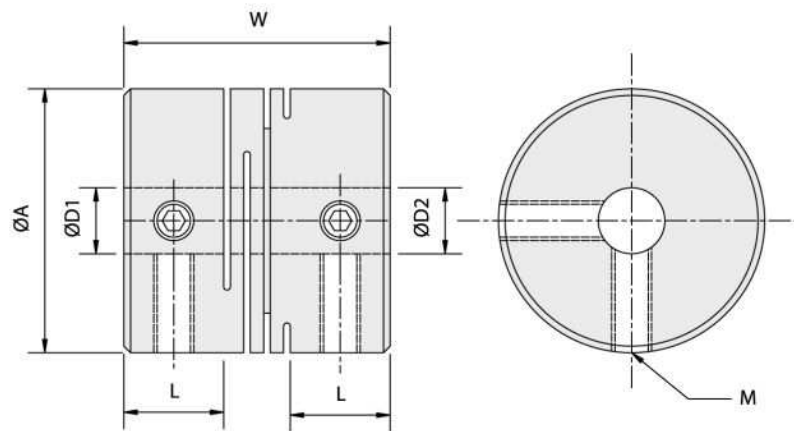
## Specifications

unit:mm

| Product No<br>產品編號 | Rated Torque<br>常用扭矩<br>(N.m) | Max. Torque<br>最大扭矩<br>(N.m) | Max. Rotational Frequency<br>最高迴轉數<br>(min <sup>-1</sup> ) | Moment*<br>Of Inertia<br>慣性<br>(kg.m <sup>2</sup> ) | Error of Angularity<br>容許角偏差<br>(°) | Error of Shaft End-play<br>容許軸向位差<br>(mm) | Mass**<br>質量<br>(g) |
|--------------------|-------------------------------|------------------------------|--|---|-------------------------------------|---|---------------------|
| MFS-16             | 0.3                           | 0.6                          | 24000  | $2.7 \times 10^{-7}$                                | 1°                                  | ±0.2                                      | 7.4                 |
| MFS-20             | 0.5                           | 1.0                          | 19000  | $7.6 \times 10^{-7}$                                | 1°                                  | ±0.2                                      | 12.0                |
| MFS-25             | 1.1                           | 2.2                          | 15000  | $2.2 \times 10^{-6}$                                | 1°                                  | ±0.2                                      | 24.0                |
| MFS-32             | 2.0                           | 4.0                          | 12000  | $8.0 \times 10^{-6}$                                | 1°                                  | ±0.2                                      | 50.0                |
| MFS-40             | 5.0                           | 10.0                         | 9600   | $2.8 \times 10^{-5}$                                | 1°                                  | ±0.3                                      | 98.0                |
| MFSS-16            | 0.5                           | 1.0                          | 24000  | $8.6 \times 10^{-7}$                                | 1°                                  | ±0.1                                      | 18.0                |
| MFSS-20            | 1.0                           | 2.0                          | 19000  | $2.4 \times 10^{-6}$                                | 1°                                  | ±0.1                                      | 32.0                |
| MFSS-25            | 2.1                           | 4.2                          | 15000  | $7.2 \times 10^{-6}$                                | 1°                                  | ±0.2                                      | 63.0                |
| MFSS-32            | 3.5                           | 7.0                          | 12000  | $2.6 \times 10^{-5}$                                | 1°                                  | ±0.2                                      | 130.0               |

\*Max. Bore Moment of Inertia/最大孔徑時慣性矩

\*\*Max. Bore Mass/最大孔徑時質量



## Dimension

unit:mm

| Product No<br>產品編號 | A  | L    | W  | Stock Bores<br>標準孔徑<br>D1×D2(公差 H8) |           | M  |
|--------------------|----|------|----|-------------------------------------|-----------|----|
|                    |    |      |    | Min<br>D1                           | Max<br>D2 |    |
| MFS-16             | 16 | 6.8  | 18 | 4                                   | 8         | M3 |
| MFS-20             | 20 | 7.6  | 20 | 5                                   | 10        | M3 |
| MFS-25             | 25 | 9.5  | 25 | 5                                   | 12        | M4 |
| MFS-32             | 32 | 12.6 | 32 | 6                                   | 14        | M4 |
| MFS-40             | 40 | 15.8 | 40 | 8                                   | 18        | M5 |
| MFSS-16            | 16 | 6.8  | 18 | 4                                   | 8         | M3 |
| MFSS-20            | 20 | 7.6  | 20 | 5                                   | 10        | M3 |
| MFSS-25            | 25 | 9.5  | 25 | 5                                   | 12        | M4 |
| MFSS-32            | 32 | 12.6 | 32 | 6                                   | 14        | M4 |

## When Ordering

When placing an order, make sure to include product no.  
And stock bores(both sides) of product.

## MFS-20 - Ø5 X Ø6

Product No    D1    D2