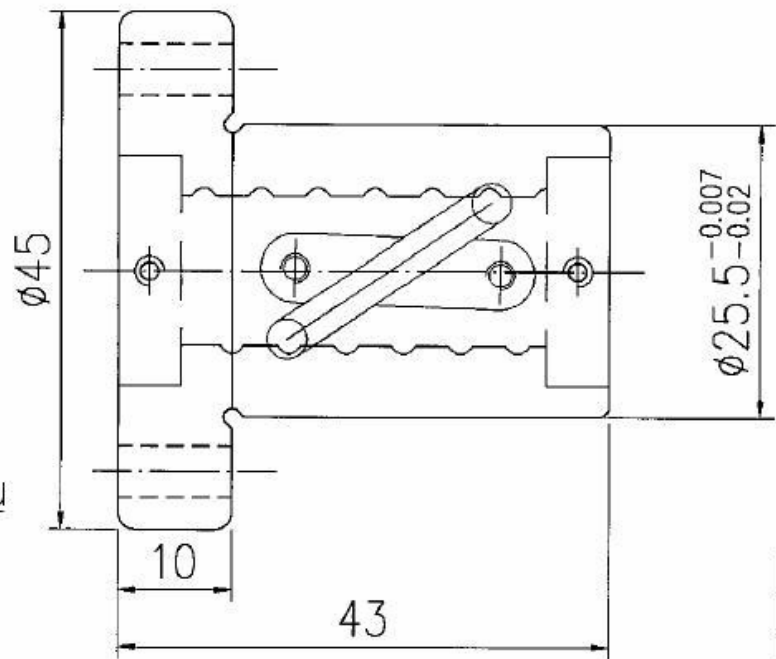
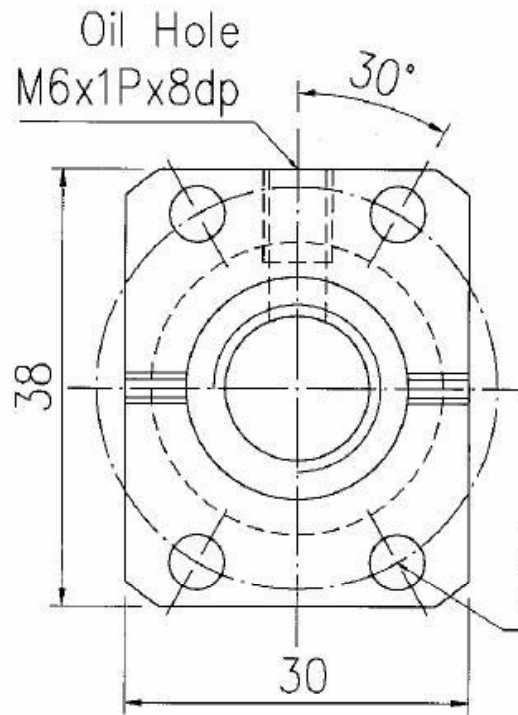


▽ (wavy)



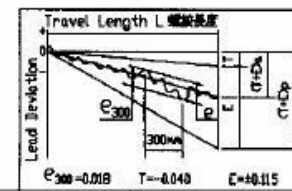
BASIC RATED DYNAMIC LOAD (kgf)	662
BASIC RATED STATIC LOAD(kgf)	1036
THREAD DIR. /NO. OF START THD	RIGHT/ 1
BCD (mm)	φ12.34
LEAD (mm)	5
BALL DIA.(mm)	φ2
ROOT DIA.	φ14.34
EFFECTIVE TURNS (CIRCUITxROW)	3.5X1
LEAD ANGLE	7.35°

Ball Nut Dwg NO

TOLERANCES FOR REGULAR DIMENSIONS (MM)				SURFACE ROUGHNESS Ra(μm)
RANGE	TOLERANCE	RANGE	TOLERANCE	
0.5-6	±0.1	401-1000	±0.8	▽ FINE FINISH 6.3o
7-30	±0.2	1001-2000	±1.2	
31-120	±0.3	2001-4000	±2.0	
121-400	±0.5	4001 OVER	±3.0	▽ G GRIND FINISH 1.6o

CUSTOMER:
SPEC=R12-05C1-XSWD

(註: 未標之倒角皆為C0.5) NOT EFFECTIVE HARDENED AREA (不在有效熱處理範圍內)
Note: Chamferings are C0.5 if not specified otherwise



AXIAL PLAY	
DRAG CENTER	0
TORQUE RANGE (kgf-cm)	0
SPRING FORCE (kgf)	0
THREAD PROFILE	GOTHIC

Accessory	QTY	Accessory	QTY	DRAW
導管	2	尼龍刮刷器	2	CHECK
壓板	1	止付螺絲M3x5	4	APPROVE
圓頭十字螺絲M2.5x3	2			DATE 100-04-21

GTEN
GTEN BALL SCREW TECHNOLOGY

DWG NO. CUSTOMER'S DWG. NO.

SCALE 1:X

MATERIAL	SCREW	S55C
材質	NUT	SCM415H
HARDNESS	SCREW	HRC58~62
熱處理	NUT	熱處理 HRC58~62